

FICHMAN FURNITURE AND RADIATOR COVERS

Measuring and Ordering Access Doors

LOCATION OF DOOR ON RADIATOR COVER:

Access doors can be ordered on any panel of the radiator cover. Please specify which panel you would like the door to be on (from perspective of facing the cover):

TOP PANEL LEFT PANEL RIGHT PANEL FRONT PANEL

DIRECTION OF OPENING:

The door can be made to open in any of four directions when facing the panel it is on. Please specify if the door should be hinged to open:

LEFT RIGHT UP DOWN

ACCESS DOOR SIZE:

The door's dimensions can be made to your custom requirements. The minimum height of a door when it opens to the left or right is 4". The minimum length of a door that opens up or down is 4". We don't recommend making a door larger than 5" x 7".

DOOR LENGTH: _____

DOOR HEIGHT: _____

ACCESS DOOR LOCATION:

To locate the door on the desired panel, we measure from the top left of the panel to the top left corner of the access door opening. We call this the origin. The origin from left to right is called X, and the origin from the top down is called Y. In order to accommodate the hinge required for the door to open, there must be at least 2.5" on the side of the door to which it opens. For example a door that opens LEFT must have an X of at least 2.5". A door that opens UP would need a minimum Y of 2.5". On the top panel, remember that this clearance needs to be adjusted to account for overhangs and the thickness of side and front panels. See diagrams for examples.

X: _____

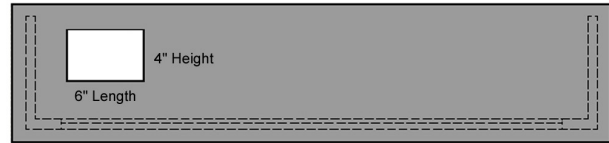
Y: _____

PULL STYLE:

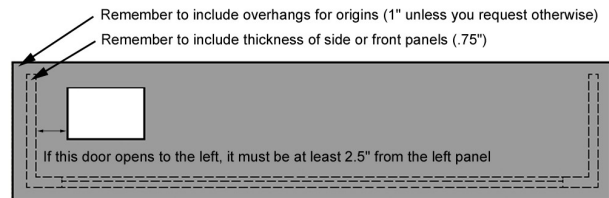
By default we'll cut what we call a finger pull into the door. It is a small cutout big enough to reach into the door and open it. If you prefer a 5mm hole to be drilled so you can install your own knob, simply let us know where to drill it. We measure its location from the top left of the door. If you prefer to have neither and will figure something else on your own later, simply request that we do nothing.

Choose: FINGER PULL KNOB NOTHING

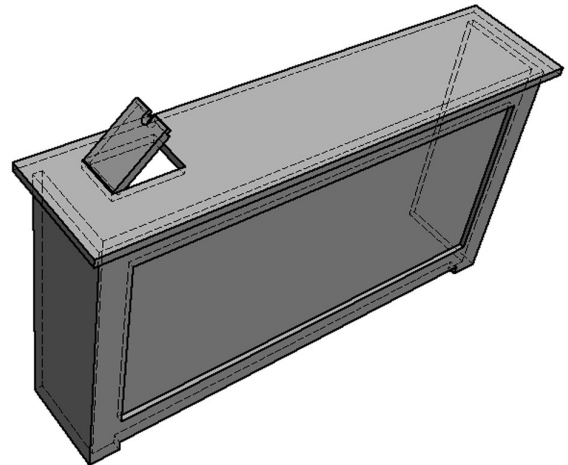
If KNOB selected: X: _____ Y: _____



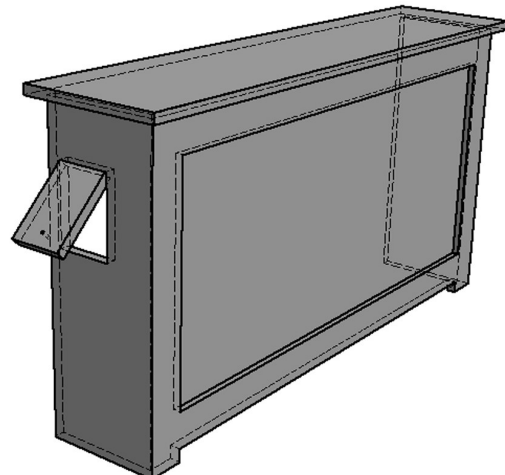
Example of an access door in a TOP PANEL.



Remember that while we use internal dimensions to determine the size of the radiator cover, it is important to be mindful of the radiator cover's OVERALL DIMENSIONS when locating access doors on TOP PANELS. The thickness of the side or front panel, and overhangs will need to be factored in to locate the door. Please contact us if you would like further clarification and we'll be happy to help you.



Example of the door on the TOP PANEL opening LEFT with a FINGER PULL.



Example of the door on the LEFT PANEL opening UP with a KNOB.