

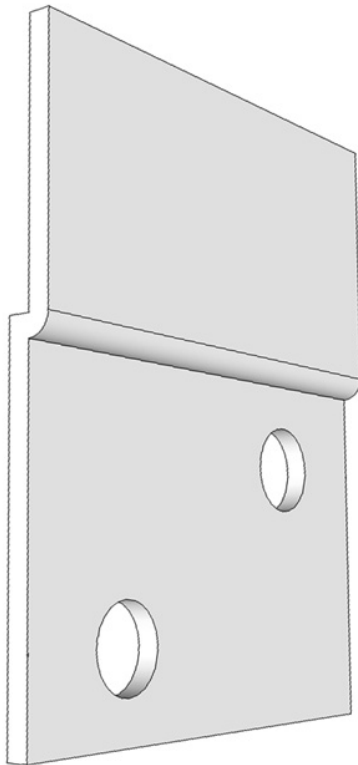
## FICHTMAN FURNITURE QUICK RELEASE WALL HARDWARE KIT

This kit will allow you to install brackets on the wall and on the radiator cover that will pair up to hold the radiator cover in place. It will have some give side to side, but it will not release unless you lift the cover approximately .75" up.

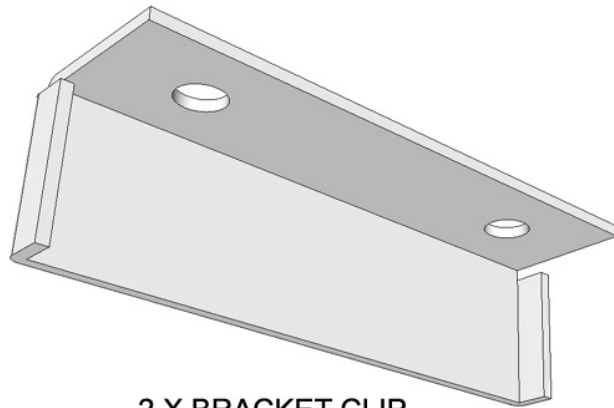
The installation is only as strong as how well you fasten the brackets to the wall and to the radiator cover. This kit will only work on radiator covers that have sufficient clearance above the cover to allow you to lift it about one inch so it will release.

Verify that you have all of the contents of the kit:

### KIT CONTENTS



2 X WALL PLATE



2 X BRACKET CLIP

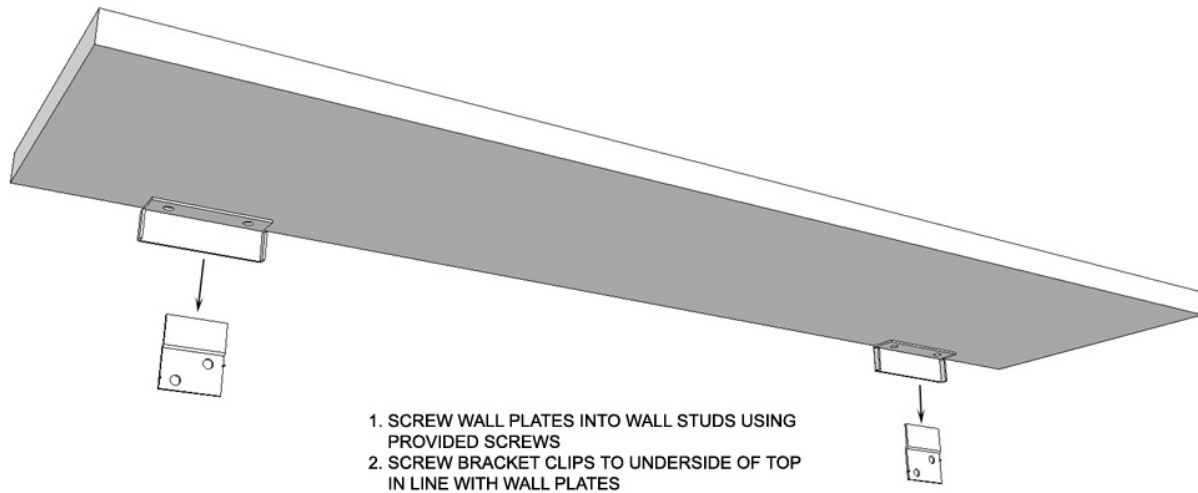


4 X BRACKET CLIP SCREW



4 X WALL PLATE SCREW

While the kit also includes wall plugs (anchors), we do not recommend their sole use because wall plugs are not as strong as screws that are directly screwed into wall studs. If you do use a wall plug, ensure that at least one screw per wall plate is screwed directly and firmly into a wall stud.



### WALL PLATES:

Height: Install this plate so that the top of the plate is 7/8" shorter than the overall height of the radiator cover.

Location on wall: Find two studs or other equivalent solid mounting surface that will be in the area on the wall behind the radiator cover. For maximum strength, find studs as far apart as possible that are near each end of the radiator cover.

Use the longer wood screws to permanently fix the wall plates to the wall.

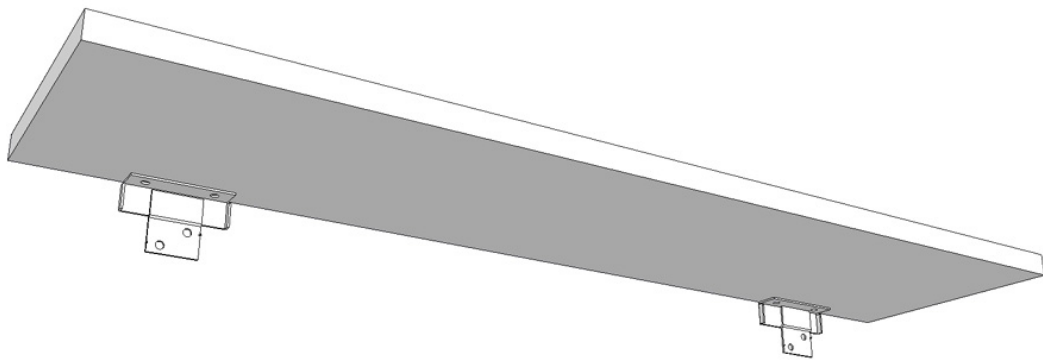
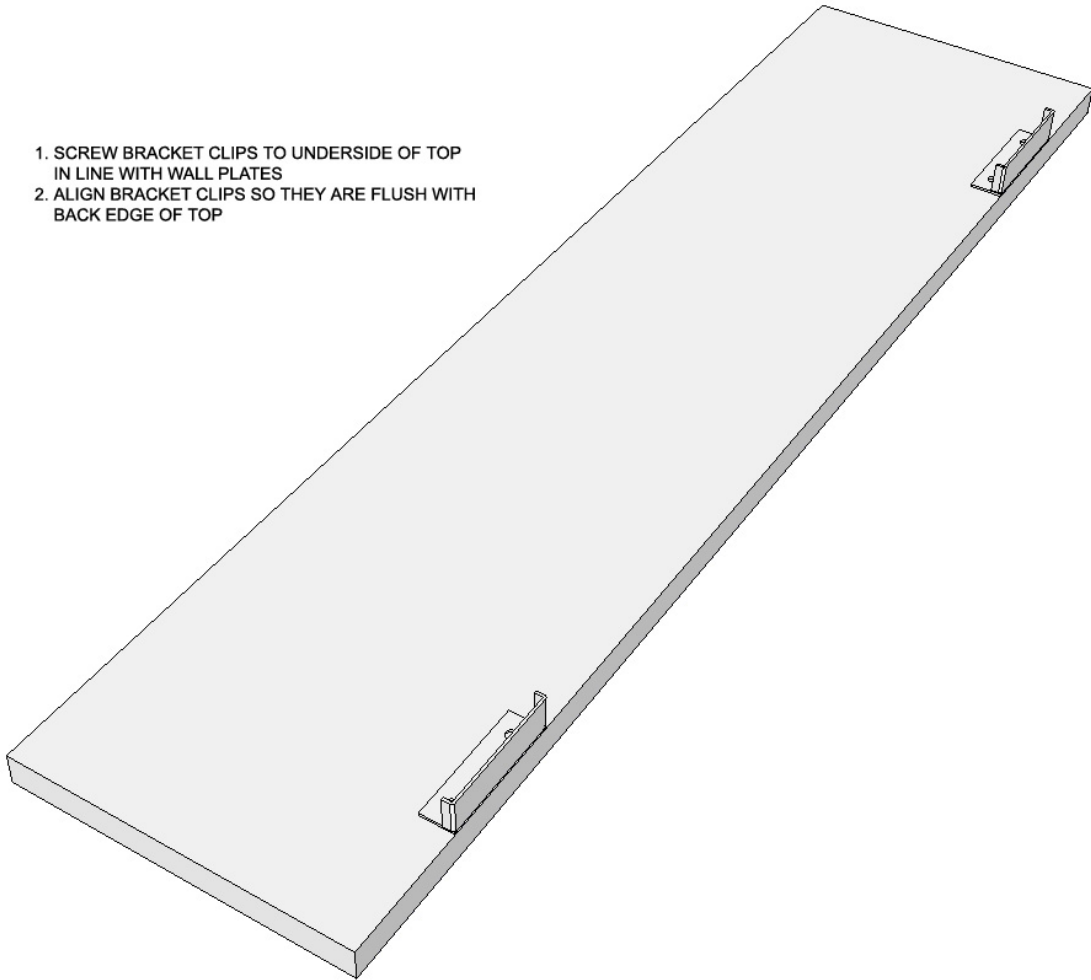
### BRACKET CLIPS:

The bracket clips mount to the underside of the top of the radiator cover using the shorter wood screws that are provided so that they will be centered over where the wall plates will be mounted on the wall and the back edge of the bracket is flush with the back edge of the top.

To put the rad cover in place, raise the rad cover approximately an inch off the ground and lower it onto the wall plates which will hold the radiator cover in place. The cover will be able to slide slightly from side to side, but will not fall over or move unless you lift the cover about an inch before pulling away. Test your installation before trusting it to be safe.

If moving the cover up an inch is a possible occurrence under normal circumstances in your location, this is not the ideal mounting solution and you should opt for a fixed installation that should be completely unscrewed to be removed.

1. SCREW BRACKET CLIPS TO UNDERSIDE OF TOP  
IN LINE WITH WALL PLATES
2. ALIGN BRACKET CLIPS SO THEY ARE FLUSH WITH  
BACK EDGE OF TOP



COMPLETED INSTALLATION  
(ONLY TOP PANEL ILLUSTRATED, FRONT AND SIDES OF COVER ARE  
NOT SHOWN FOR ILLUSTRATION PURPOSES ONLY)